

Description

S6-600W series is specially designed for sports lighting and industrial lighting applications. It is constant current LED driver that operates from 220-480Vac with DMX programming dimming function. This Rectangle integrated structure enables it to have a better heat dissipation cooler, significantly improving reliability and extending product life, the better thermal design and high efficiency enable the driver to operate with high reliability, and extending product lifetime. Overall protection is provided against lightning surge, output over voltage, short circuit, and over temperature, to ensure low failure rate.



Product Features

- Universal input voltage range: 198~528Vac;
- Isolated constant power design;
- DMX -RDM control optional, Support RDM control mode & controller address setting;
- Support flashing function with maximum of 6 flashes per second
- Ultra low ripple: < 2%;
- PF : >0.95@100%load ,THD: <15%@100%load;
- Inrush current:<40A@480Vac;
- Surge protection: DM 6KV,CM 10KV;
- All -around protection: SCP,OVP,OTP;
- Ingress protection rating: IP66,IK08;
- Ambient temperature:-40℃~50℃ ;
- 7 years warranty.

Application

Stadium Lighting
 Area and flood lighting
 High-bay lighting.

Models

Model Number	Input Voltage Range (Vac)	Max Output Power (W)	Output Voltage Range (Vdc)	Full Power Output Current Range (A)	Default Current(A)	Eff. (Typ.)	PF(Typ.)	THD(Typ.)
S6-600R520	198~528Vac	600	260~520	1.16~1.88	1.2	94.5%	0.95	15%

NOTES:

- [1]. All specifications are measured at 25°C ambient temperature, input voltage 230Vac, and the typical value tested at full load, if no specific note.
- [2]. The driver product is suitable for 265W-600W LED module.
- [3]. Efficiency ≥ 85% at 50% load @25°C.

Input Specifications

Parameter	Min	Typ.	Max	Notes
Input Voltage Range	198Vac	220V/277V/347V 400V/480VAC	528Vac	
Input Frequency AC	47Hz	50/60Hz	63Hz	
Max Input Current	-	-	3.2A	220-480Vac&Full Load.
Max Input Power	-	-	660W	220Vac&Full Load.
Leakage Current	-	-	0.70mA	IEC 60598-1;240Vac/60Hz.
Inrush Current	-	-	30A	220Vac&Full Load, Cold Start.
Standby Power Consumption	-	-	0.5W	230Vac&50Hz.
Power Factor(PF)	0.96	0.98	-	220Vac, 50-60Hz, 100% Load.
Power Factor(PF)	0.90	0.95	-	480Vac, 50/60Hz, 70%-100% load.
Total Harmonic Distortion(THD)	-	5%	10%	220-400Vac, 50-60Hz, 100% Load.
Total Harmonic Distortion(THD)	-	15%	20%	220-480Vac, 50-60Hz, 70%-100% Load.
MCB(B16)	-	6	-	230Vac.

Output Specifications

Parameter	Min	Typ.	Max	Notes
Output Voltage Range	260Vdc	-	520Vdc	The full power cannot be lower than 319Vdc.
Open Circuit Voltage	-	-	550Vdc	The open circuit protection is locked, and the AC needs to be powered on again.
Output Current Range	0.18A	-	1.88A	The DMX programmer regulates the I _{set} current.
Full Power Current Range	1.16A	-	1.88A	
Current Accuracy	-5%	-	+5%	I _{set} >1.16A
Total Output Current Ripple (pk-pk)	-	5%	10%	> 15KHz BW, full load& LED load, the ripple would be tiny different under different LED load.
Total Output Current Ripple (pk-pk)	-	1.5%	2%	< 1KHz BW, full load& LED load, the ripple would be tiny different under different LED load.
Startup Overshoot Current	-	6%	10%	220~480Vac & 100% Load, load is LED.
Line Regulation	-1%	-	+1%	25°C±10°C ambient temperature, input Voltage changes from 220Vac to 480Vac.
Load Regulation	-3%	-	+3%	25°C±10°C ambient temperature, Input Voltage 230Vac,load changes from 60% to 100%.
Turn-on Delay Time	-	1s	2s	230Vac,100% load.

General Specifications

parameter	Min	Typ.	Max	Notes
Efficiency@220Vac Io=1.16A	93.0%	94.5%	-	Measured at full load and 25°C ambient temperature.
Efficiency@220Vac Io=1.88A	92.5%	94.0%	-	Measured at full load and 25°C ambient temperature.
Efficiency@400Vac Io=1.16A	94.0%	95.5%	-	Measured at full load and 25°C ambient temperature.
Efficiency@400Vac Io=1.88A	93.5%	95.0%	-	Measured at full load and 25°C ambient temperature.
Efficiency@480Vac Io=1.16A	94.0%	95.5%	-	Measured at full load and 25°C ambient temperature.
Efficiency@480Vac Io=1.88A	93.5%	95.0%	-	Measured at full load and 25°C ambient temperature.
Mean Time Between Failure	-	200Khours	-	25°C±10°C ambient temperature, 230Vac,100% load (MIL-HDBK-217F/SR-332).
Lifetime	-	50Khours	-	Tc=75°C, 230Vac&100% load.
Operating Temperature Ta	-40°C	-	+50°C	220-480Vac&100% load.
Operating Tc for Safety Tc_s	-40°C	-	+90°C	
Operating Tc for Warranty Tc_w	-40°C	-	+75°C	7 years warranty case temperature Humidity: 10% to 80% RH No condensation.
Storage Temperature Ta	-40°C	-	+85°C	Humidity: 5% to 50% RH No condensation.
Altitude	-60m	-	4000m	
Input Under Voltage Protection	160 Vac	180 Vac	193 Vac	
External NTC (R1)		18K ohm (Set by software)		When the R-NTC is reduced to R1, the external thermal protection is triggered and the output current gradually decreases.
External NTC (R2)		9.1K ohm (Set by software)		When the R-NTC is reduced to R2, the output current is reduced to the programmed protection current value.
External NTC (Protection Circuit)	10%I _o set	60%I _o set	100%I _o set	10%I _o set>I _o min (Default setting 60%).
External NTC (Protection Circuit)	I _o min	60%I _o set	100%I _o set	10%I _o set≤I _o min (Default setting 60%).
Over Temperature Protection Tc	-	93°C	-	230Vac&100% load.
Short Circuit Protection	-	-	-	Self-recovery after 30 seconds.
Dimensions (L*W*H)	335*143.5*58.6mm			
Net Weight	3100±50g/PCS			
Package	544*365*195mm; 4PCS/Ctn			

Dimming

Parameter	Min	Typ.	Max	Notes
DMX+ to DMX-	-6V	-	6V	
DMX+ to Chassis	22M ohm	-	-	At 42Vdc
DMX- to Chassis	22M ohm	-	-	At 42Vdc
Logic 0 Input	-	-	-0.2V	DMX+ to DMX-
Logic 1 Input	0.2V	-	-	DMX+ to DMX-
Communication Baud Rate	-	250K bps	-	
Dimming Output Range	10%I _o max	-	100%I _o set	10%I _o max≤I _o set≤100%I _o max

Note:

All specifications are typical at 25°C unless stated otherwise.

Safety Specification

Dielectric Strength (Input-Output)	-	4372Vac	-	60s, Current not exceeding 5mA.
Dielectric Strength (Input-Ground)	-	1830Vac	-	60s, Current not exceeding 5mA.
Dielectric Strength (Output-Ground)	-	2100Vac	-	60s, Current not exceeding 5mA.
Dielectric Strength (Input-Dimming)	-	1600Vac	-	60s, Current not exceeding 5mA.
Grounding Resistance	-	-	0.1Ω	25°C±10°C Ambient Temperature, pass 25A Current, 60s.
Insulation Resistance	10MΩ	-	-	Input-Output, Input-PE, Output-PE, 500Vdc/60s/25°C.

Safety Compliance

Safety Category	Standards	Approved	Notes
CCC	GB19510.1,GB19510.14	√	
CE	EN61347-1, EN61347-2-13, EN62493	√	
ENEC	EN61347-1, EN61347-2-13, EN62384	√	
CB	IEC61347-1, IEC61347-2-13	√	
BIS	IS 15885(PART 2/SEC 13)		
UL	UL 8750		
CUL	CSA C22.2 No.250.13	√	
KC	K61347-1, K61347-2-13		
PSE	J61347-1, J61347-2-13		
SAA	AS/NZS IEC 61347.2.13		
SAA	AS/NZS 61347.1		

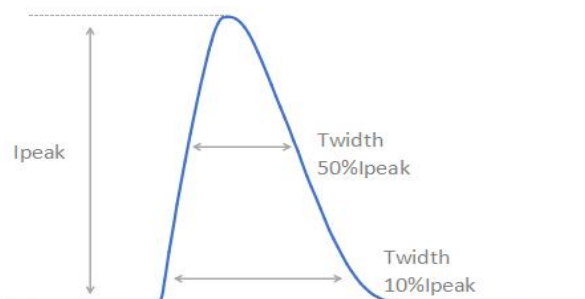
EMC Compliance

EMC Category	Standards	Approved	Notes
CCC	GB/T 17743, GB 17625.1	√	
CE	EN 55015	√	
CE	EN 61000-3-2, EN 61000-3-3	√	
CE	EN61000-4-2,3,4,5,6,11	√	
CE	EN 61547	√	
KC	K61547		
KC	K00015		
PSE	J55015		
FCC	FCC part 15		
Surge Shock Immunity	ANSI/C82.77-5-2017		
Ringing Wave			

RoHS

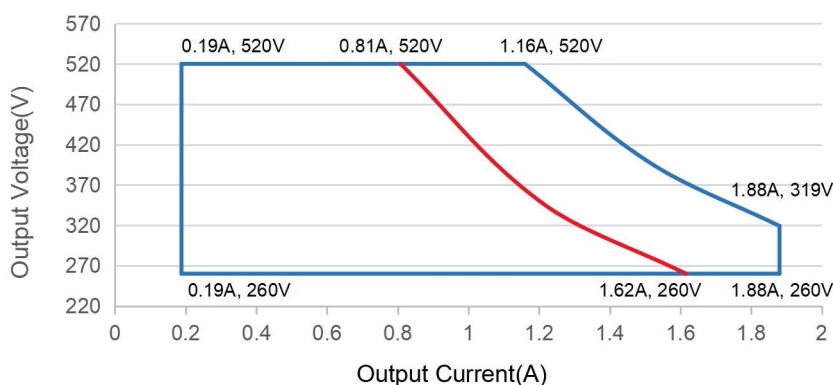
Our products comply with RoHS Directive (EU) 2015/863 amending Annex II to Directive 2011/65/EU.

Inrush Current



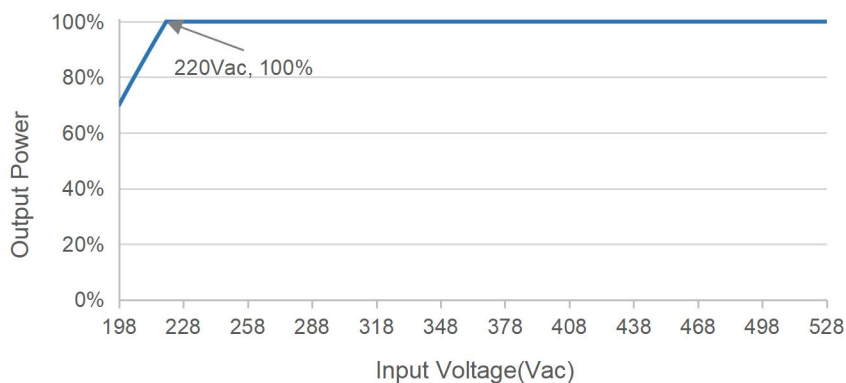
Vin	Ipeak	T(@10% of Ipeak)	T(@50% of Ipeak)
220Vac	12.7A	2.44ms	1.030ms
400Vac	24.6A	2.50ms	1.120ms
480Vac	27.6A	2.50ms	1.120ms

Output Voltage vs. Output Current

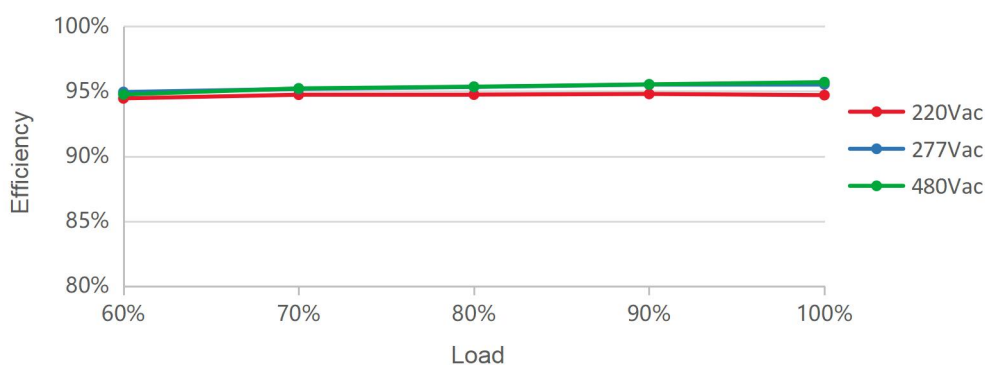


Red curve: good performance area.

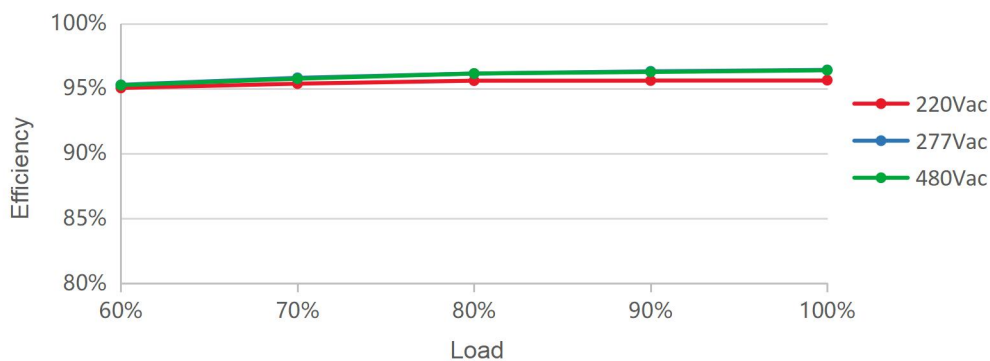
Output Power vs. Input Voltage



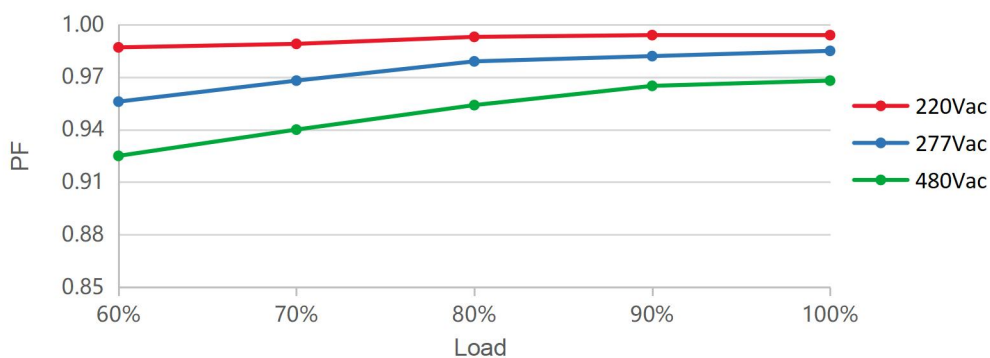
Efficiency vs. Load (Io=1.88A)



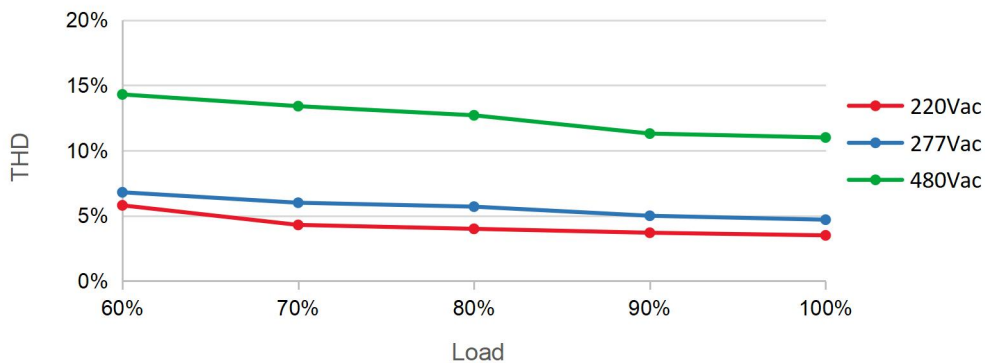
Efficiency vs. Load (Io=1.16A)



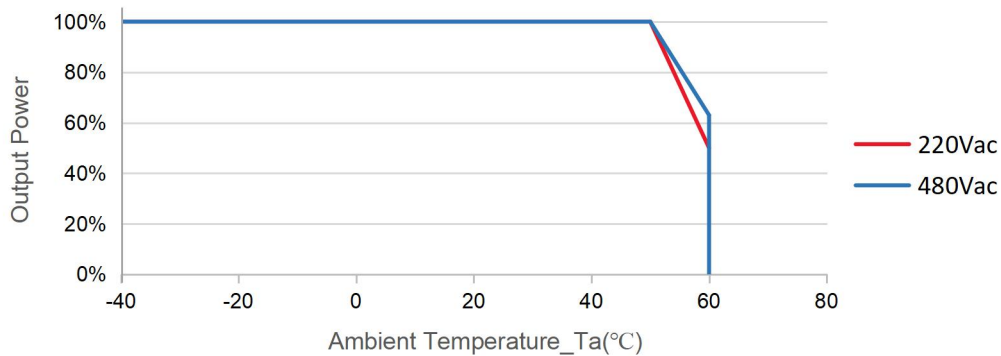
PF vs. Load



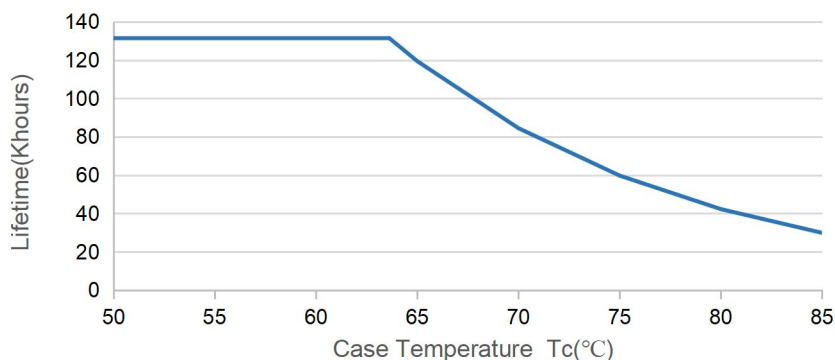
THD vs. Load



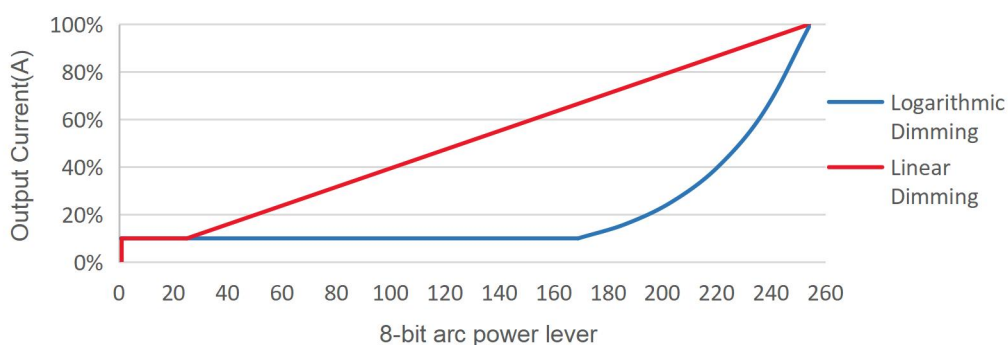
Output Power vs. Ambient Temperature



Lifetime vs. Case Temperature



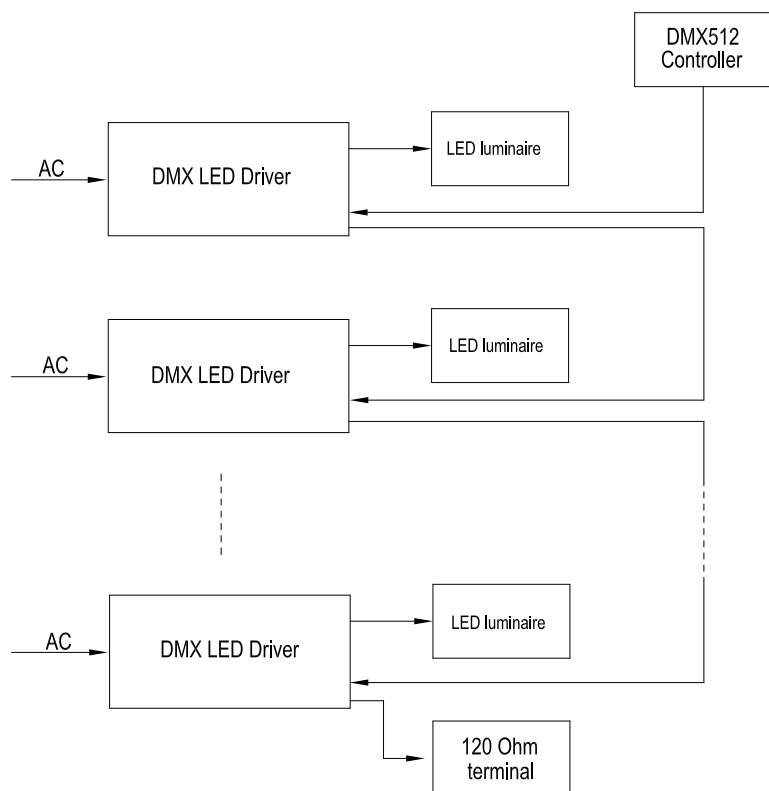
DMX Dimming



Note:

Factory Default Linear Dimming Curve.

Implementation:DMX512 Daisy chain

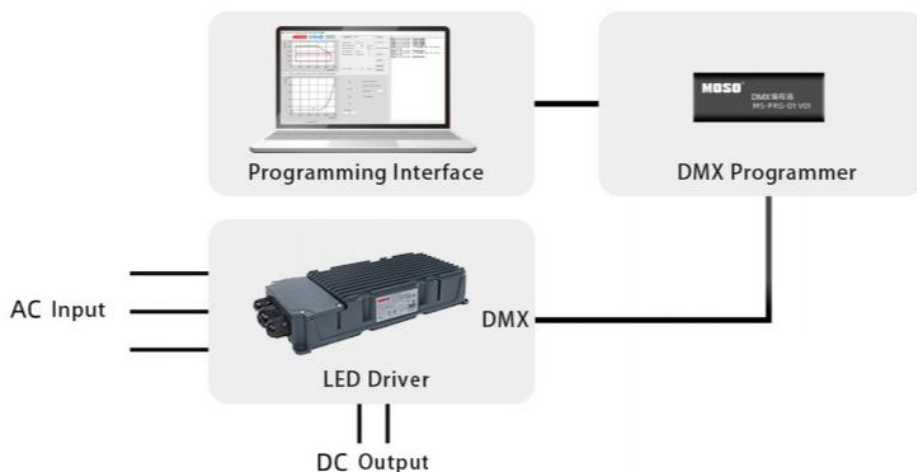


Note:

- [1]. Up to 32 drivers may be daisy-chained, terminated by a 120 ohm resistor (connected between DMX+ & DMX- as the last driver).
- [2]. 300m maximum length.
- [3]. 100m maximum between drivers.
- [4]. For best performance, a characteristic impedance of 120 ohms should be maintained for the entire length of the control line.

Programming Link (DMX)

1. Programming mode



2. Operating instructions

MOSO 茂硕电源 Spanish

Scan Port: DMX0

Driver Type: S6-600R320
Max Out Current 1: 1880 mA

Dimming Type: DMX Dimming
Dimming Curve: Linear

Min. out Ratio: 10 %

Log:
part 10:27:36.056 DMX0 : V3.2B8 USER
1000% 10% 319.7V
part 10:27:36.056 DMX0 : read basic parameter success

DMX Dim System Version Info Lamps OTP

Max DMX Address: 1
Foot Print: 1
Centre DMX Flag: 23F
DMX Fade Time: 0
Min. PIN Code: 1234
Man ID: 0947
Off Dimming: 9470003D9F
Device UID: 9470003D9F

DMX visual software programming

1. The current parameters and configured driving parameters can be read;
2. Time dimming. Set the timing control function, which supports 7 segments at most;
3. CLO;
4. Power protection. The power protection parameters can be set according to the actual needs of customers.

MOSO 茂硕电源 Spanish

Scan Port: DMX0

Driver Type: S6-600R520
Max Out Current 1: 1880 mA

Dimming Type: DMX Dimming
Dimming Curve: Linear

Min. out Ratio: 10 %

Log:
part 10:27:36.056 DMX0 : V3.2B8 USER
1000% 10% 319.7V
part 10:27:36.056 DMX0 : read basic parameter success

DMX Dim System Version Info Lamps OTP

Set Lamps OTP
Resistance at 25°C: 100 KΩ Lamps OTP
Sensor constant (BETA): 4050

Start Derating: 65 °C
End Derating: 85 °C
OTP Out Ratio: 60 %

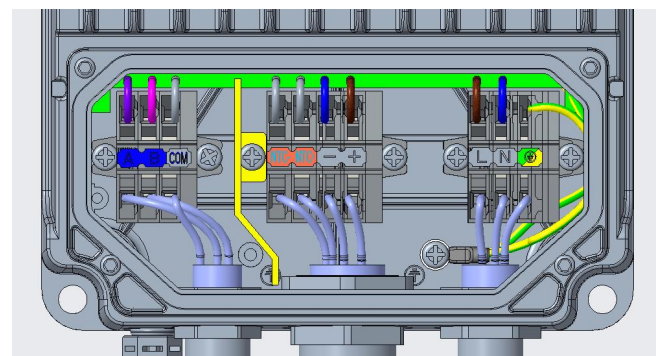
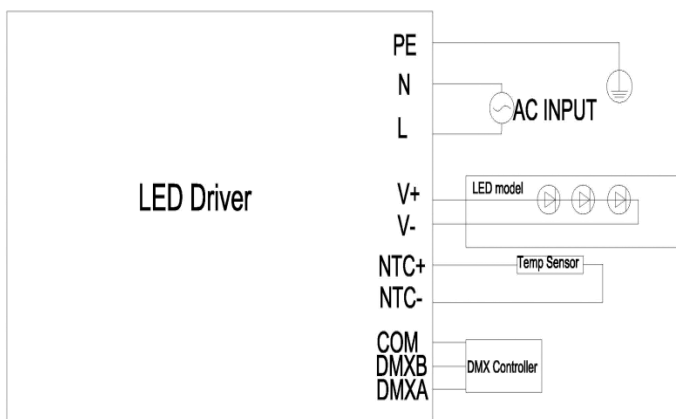
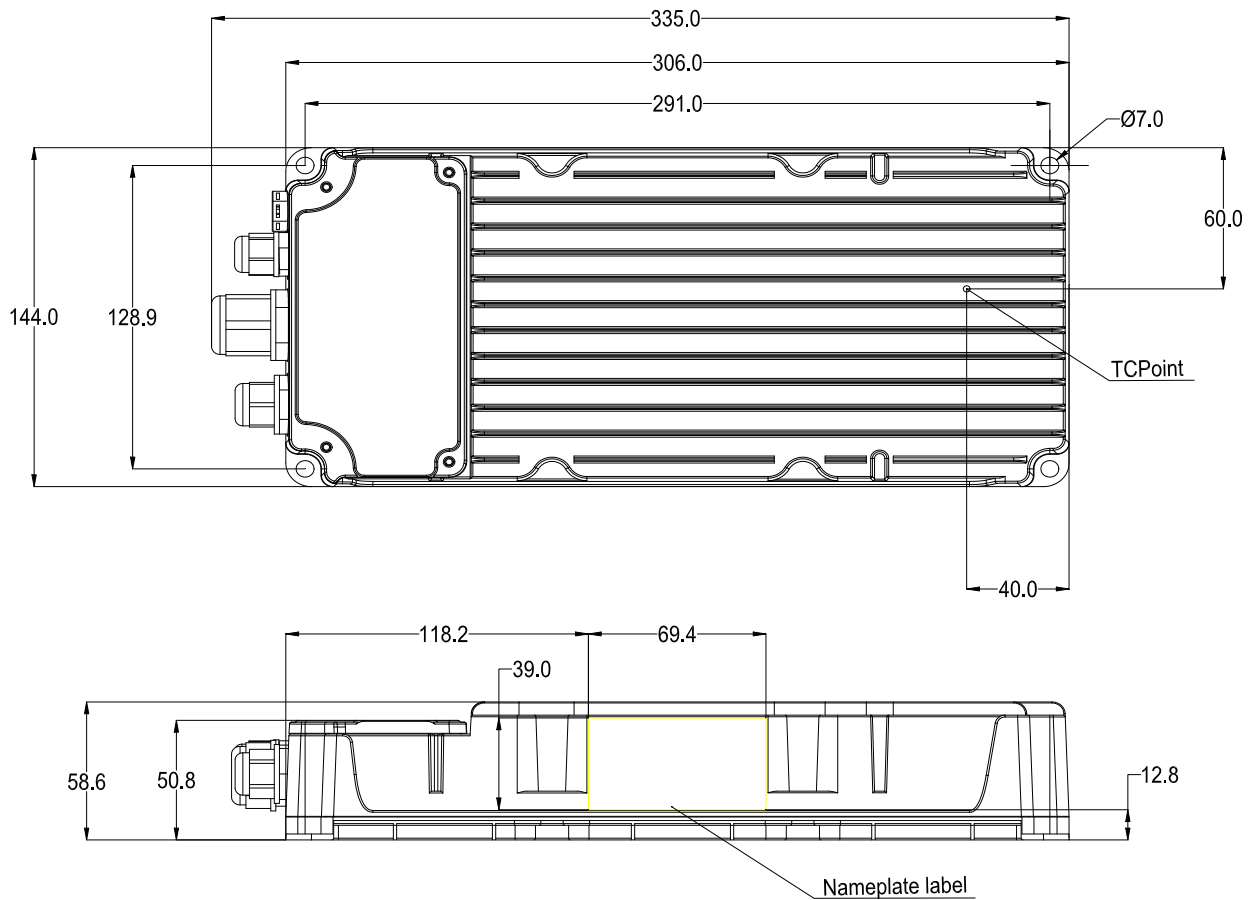
Lamps Info
Current Temp. °C
Current Max Temp. °C
Last Max Temp. °C
History Max Temp. °C
Occurred Time Hour
OTP Count

The recommended value of NTC resistance is 100K Ω, BETA: 4050

NTC resistance value changes with temperature:

40°C	48.6Ω-58.8KΩ;
60°C	21.8Ω-26.3KΩ;
65°C	18.1Ω-22.1KΩ;
70°C	15.1Ω-18.6KΩ;
75°C	12.7Ω-15.8KΩ;
80°C	10.7Ω-13.4KΩ;
85°C	9.1Ω-11.5KΩ;

Mechanical Outline



Connections

Wire	Recommended wire Specification	Note
Input (L,N,G)	H07RN-F, Minimum wire diameter 3*1.0mm ² , The maximum wire diameter 3*2.5 mm ²	
Output, NTC	H07RN-F, Minimum wire diameter 4*1.0mm ² , The maximum wire diameter 4*2.5 mm ²	
Dimming(DMX)	H07RN-F, Minimum wire diameter 3*1.0mm ² , The maximum wire diameter 3*2.5 mm ²	

Terminal	Recommended wire Specification	Note
Input	PG13.5, the torsion 3N.m Minimum wire diameter 6mm, The maximum wire diameter 11mm	
Input	PG13.5, the torsion 3N.m Minimum wire diameter 8mm, The maximum wire diameter 12mm	
Output, NTC	PG19, the torsion 3N.m Minimum wire diameter 12mm, The maximum wire diameter 15mm	
Dimming(DMX)	PG9, the torsion 1.5N.m Minimum wire diameter 4.5mm, The maximum wire diameter 8mm	

Label



NOTE:

The output voltage range on the label is 260-520V, and the current range is 0.19-1.88A, which refers to the dimming range.

Shipping Barcode Label Standard

2	2	1	2	1	2	1	0	5	7	0	1	A	1	0	0	0	1
Year	month	day	Part of production order number			Engineering level	REVISION RR	Production line number		Progressive Serial number							

Version

A.1	First release	2023-03-29
B.2	ECL202305048	2023-05-31
C.2	ECL202310004	2023-10-08
C.4	ECL202310013	2023-11-02
D.2	ECL202401009	2024-01-09

Specification for Approval

Product Name: 600W Stadium Intelligent LED Driver

Product Model: S6-600R520

Rev: D.2

Address: XiLiSongbai Road 1061, Nanshan District, Shenzhen City, Guangdong, China

Tel: 0755-27657000

FAX: 755-27657908

E-mail: info@mosopower.com

Web Site: <http://www.mosopower.com>

Prepared By	Checked By	Approved By

Specification for Approval

Product Name: 600W Stadium Intelligent LED Driver

Product Model: S6-600R520

Rev: D.2

CUSTOMER AUTHORIZED SIGNATURE		
Tested By	Checked By	Approved By
(Company seal)Return one copy to MOSO with approved signature and company seal.		

Address:XiLiSongbai Road 1061, Nanshan District, Shenzhen City, Guangdong, China

Tel: 0755-27657000

FAX: 755-27657908

E-mail:info@mosopower.com

Web Site:http://www.mosopower.com

Prepared By	Checked By	Approved By